

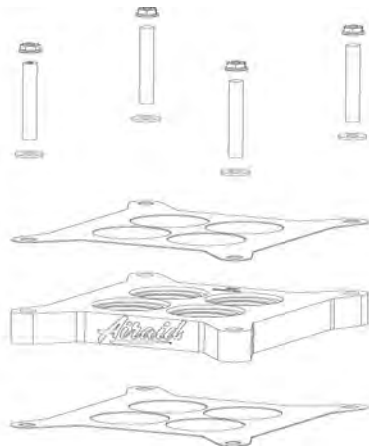


**# 100-701 INSTALLATION INSTRUCTIONS
4 BBL HOLLEY 4150/4160 Series
Edelbrock Square Flange
OE Square Flange**

**THROTTLE BODY SPACERS FOR VEHICLES LISTED ARE
50 STATE LEGAL. SEE AIRAID.COM FOR CARB STATUS ON
EACH PART FOR A SPECIFIC VEHICLE.**

Thank you for purchasing the Airaid Throttle Body Spacer. Please read the instruction manual carefully before proceeding with the installation. Your Airaid Throttle Body Spacer was carefully inspected and packaged. Check that no parts are missing, or were damaged during shipping. If you need any assistance please call 1-800-858-3333 to speak with a representative in our Customer Service Center before returning the product.

Thank you for selecting AIRAID.



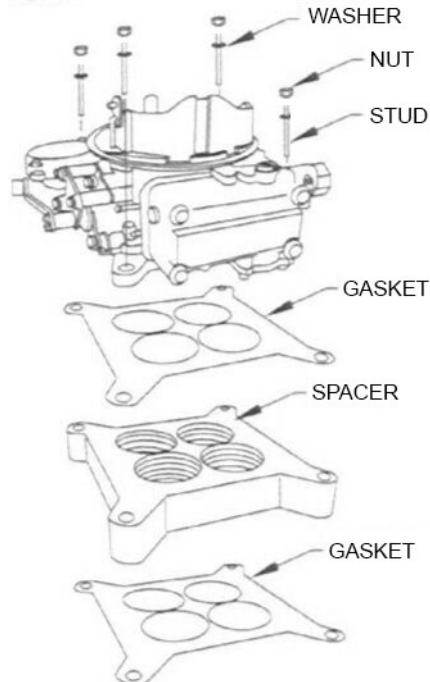
Parts List		
AIR-KIT701PA	Aluminum Plate	(1)
AIR-KIT701G	Gaskets	(2)
AIR-KIT170H	Hardware	
5/16"-18" x 5/16"-24 x 2-/1/2"	Studs	(4)
5/16"	Flat Washers	(4)
5/16"-24	Nuts	(4)

Tools List
1/2" Socket

Installation Instructions. Read Me!

1. **DISCONNECT NEGATIVE (-) BATTERY CABLE.**
2. Remove air cleaner.
3. Remove (4) bolts.
4. Remove carburetor.
5. Remove gasket and clean surfaces.
6. Install spacer with (2) gaskets.
 - A. (1) between carburetor and spacer.
 - B. (1) between spacer and manifold.
7. Install (4) Spacer (4) 5/16" flat washers, using **Step #2** as an example.
8. Inspect & Test throttle linkage for full Open & Closed travel before driving. Some cruise or kickdown cables may require adjustment. Please refer to your vehicles service manual for proper adjusting.
9. Reinstall the air cleaner.
10. Reconnect battery cable. Enjoy!

The sound of power...The "whistle" means its working!



AIR-I10701D

Rev. 12.10.20